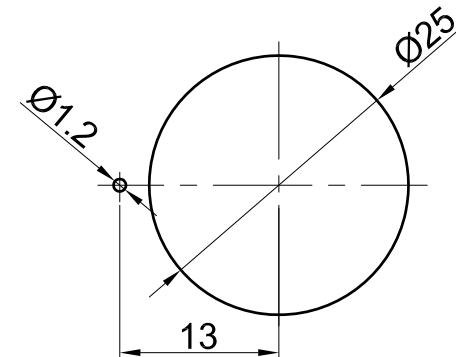


## SPECIFICATION

- RATING: 16 A 125VAC T105 UL C-UL  
1/2HP 125VAC 3/4HP 250VAC  
16(6)A /250VAC 1E4 T125/55  
10(4)A /250VAC 5E4  
ENEC SEMKO
- NEON LAMP: AC220V /AC110V
- CIRCUIT: ON-OFF W/Lamp DPST 4P
- CONTACT RESISTANCE: 30m OHMS Max
- INSULATION RESISTANCE: DC500V 100M OHMS Min
- WITHSTAND VOLTAGE: AC 1500V 1 Minute
- ELECTRICAL LIFE: 10000 Cycles at Full Load
- OPERATION FORCE: 1000~1500gf
- OPERATION TEMPERATURE RANGE: -25~+125° C

## PANEL HOLE SIZE



## MATERIALS

- HOUSING: Nylon #66 UL 94V-2
- ROCKER: PC UL 94HB
- TERMINAL: Copper Alloy Ag plated
- CONTACTOR: AgSnO<sub>2</sub>In<sub>2</sub>O<sub>3</sub> (10) /Cu

捷森電子工業股份有限公司						RL5-1	
设计						TITLE	
签名						PUSH SWITCH	
年月日						SERIES	
标准化						RL5	
签名						FUNCTION	
年月日						ON-OFF W/Lamp	
绘图						VIEWS TYPE	
审核						DRAWING NUMBER	
张雪飞							
工艺							
批准							