

APPROVAL SHEETS

Customer.....

Customer No. C

Description EMI /RFI FILTER

Project No. 06SS3-P-Q

Product Name 06SS3-P-Q

Our Part No.

Your Part No.

Safety Approvals    

Date 25-Jul-16

Note: The validity of specification is 6 months from the date. High & Low Corp. reserves the right to revise contents that need to be modified.

Approved by customer		

CONTENT



Description	Page
1. Revision history	3
2. Compliance Checklist for Customer Specification.....	4
Customer specification Review	4
Fig-1 Electrical schematic	5
Fig-2 Derating curve of current	5
Fig-3 Typical filter attenuation	5
3. Mechanical dimension	6

SPECIFICATION

1. Revision history

Customer P/N	06SS3-P-Q	Rev.	1.0	Part NO.	06SS3-P-Q
Part name	EMI FILTER			HAL model	06SS3-P-Q

Rev.	Description	Validating Date	Page	Approved
1.0	INITAL RELEASE	25-Jul-16	1~6	James

Prepared by	Reviewed by	Approved by
LongHai		

2. Customer specification compliance checklist

Part name	EMI FILTER
Customer part number	
HAL model number	06SS3-P-Q

Customer specification review

No.	Description
	Function and arer of application EMI FILTER
1	General requirements Single
2	Voltage rating: 115~250 VAC ±10%
3	Operating frequency: 50/60Hz
4	Current rating: 10A @50°C
5	AC leakage current: 0.25mA @115VAC 50/60Hz 0.45mA @250VAC 50/60Hz
6	Function Requirements
	Common mode inductor: 0.8 mH ^{+50%} _{-30%} @100KHz 0.25V
	Differential mode inductor: N/A mH ^{+50%} _{-30%} @100KHz 0.25V
	Grounding inductor: N/A mH ^{+50%} _{-30%} @100KHz 0.25V
	Common mode capacitors: 4400 pF ±20% @1KHz 1V
	Differential mode capacitors: 0.1 uF ±10% @1KHz 1V
	Resistor: N/A MΩ ±10% @1KHz 1V
7	Safety Requirements:
	Hi-pot L-L: N/A VDC N/A Second
	Hi-pot L-N: 1450 VDC 2 Second
	Hi-pot L-G: 2250 VDC 2 Second
	Hi-pot N-G: 2250 VDC 2 Second
	IR: 100MΩ Min @500VDC any input or output to ground
	DCR: 2Ω Max @input to output
	GB: 100mΩ Max @25A
	Ambient Temperature: @50°C
	Operating Temperature: -25°C~110°C
	Climatic Category: 25/110/21
8	Safety Approvals
	UL/CUL File No: E179761
	VDE File No: 40008349(SS3)
	CQC File No: CQC09001034229(SS3)
	CE: N/A
9	Electrical schematic: See Fig-1
10	Derating curve of current: See Fig-2
11	Typical filter attenuation: See Fig-3
12	Declare: Comply with RoHS 2011/65/EU.2015/863/EU and REACH 2006/1907/EC Comply with IEC60320

Fig-1 Electrical schematic

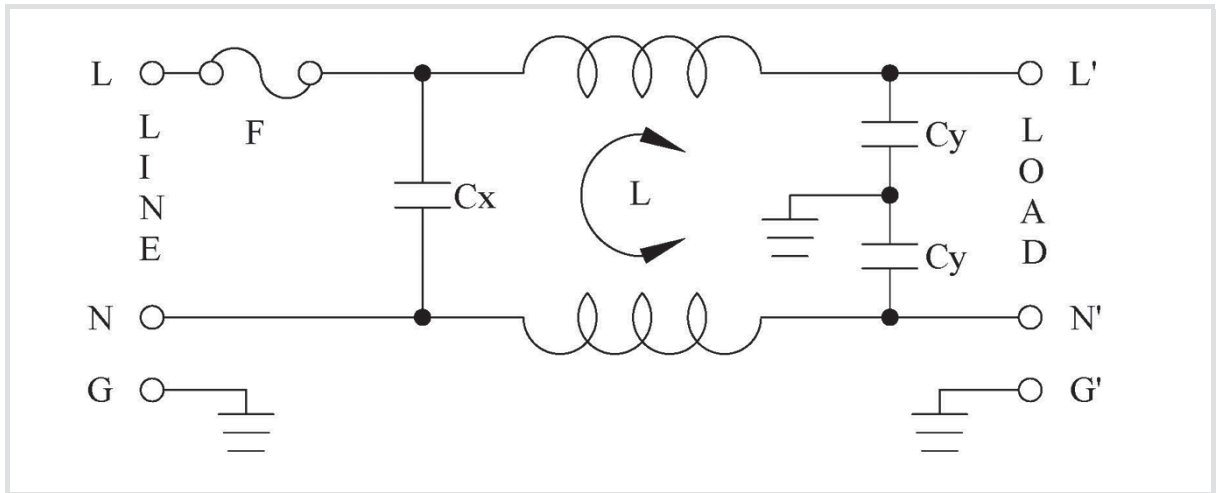


Fig-2 Derating curve of current

When ambient temperature is over 55°C, maximum applied current depends upon the following curve

IM: Maximum current
 IR: Rated current 10A@50°C

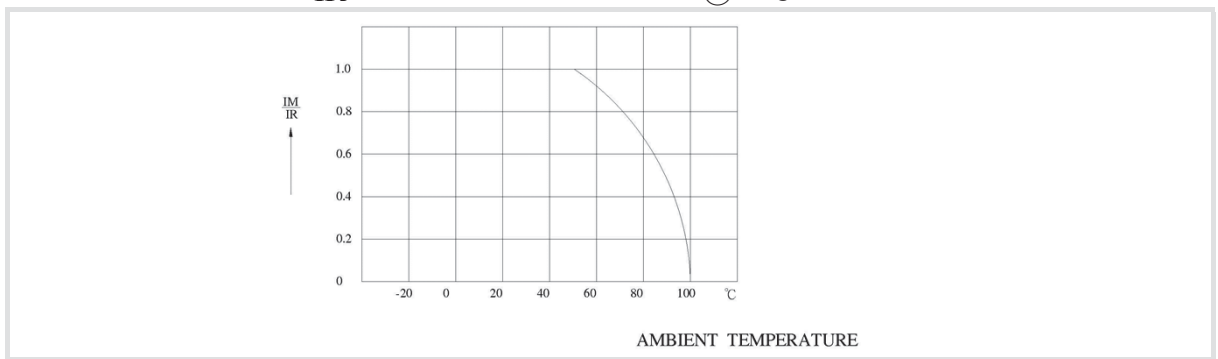
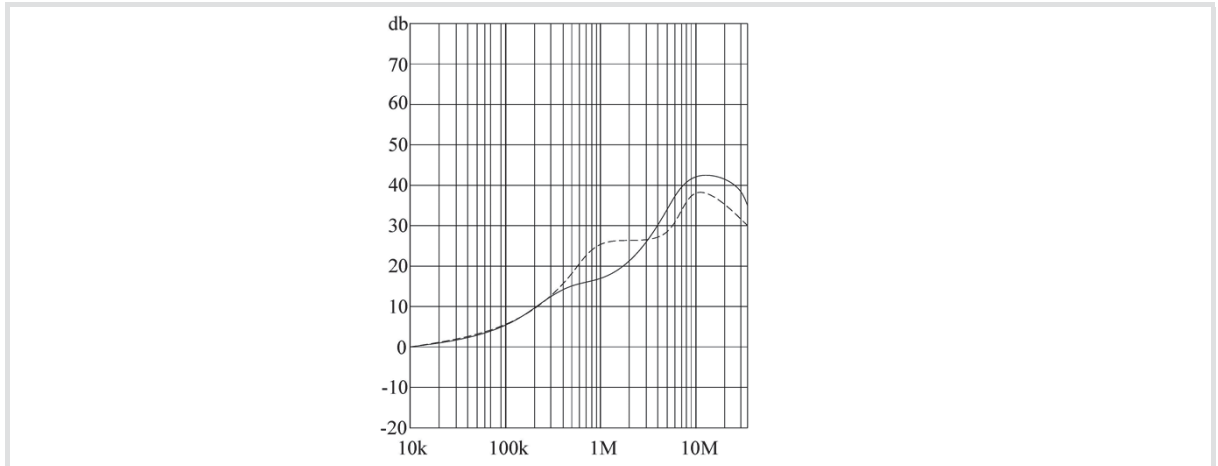


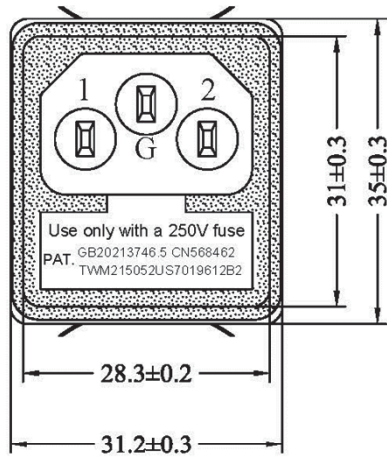
Fig-3 Typical filter attenuation

Insertion loss (dB) in 50Ω system cispr 17

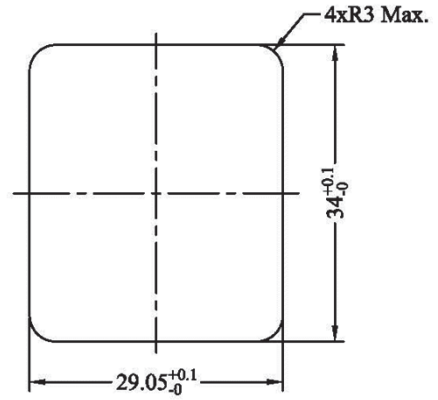
———— Common mode/Asymmetrical(L-G)
 - - - - - Differential mode/Symmetrical(L-L)



3. Mechanical dimensions:



PULL-OUT FORCE FOR
FUSEHOLDER IS 1.3~2.0KGF
(Single Fuse)



SUGGESTED PANEL CUTOUT
(MOUNTING FROM FRONT)
THICKNESS OF PANEL IS FROM
0.8mm To 1.6mm

